

Version	2.0	Date	10/1/22
Prepared By	JC		

PRODUCT SPECIFICATION	
Category	Floodlight
Item Number	9653
Stock Code	FXFDL30/77/CCT3/BZ-YK
Mounting	Yoke
Housing Color	Bronze

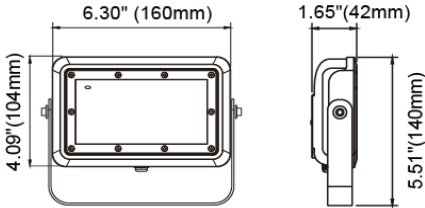


ELECTRICAL CHARACTERISTICS			
Rated Wattage (W)	30	Replacement Wattage (W)	150-200
Tested Wattage (W)	29.94		
Input Voltage (V)	120-277V	Surge Protect Level	4KV
Voltage Frequency (Hz)	50/60	Dimmable	0-10V
Input Current (A)	0.46	AUX (12V) Line	-
Power Factor	>0.9	Photocell	Included

PHOTOMETRIC CHARACTERISTICS			
Lumen (lm)	3,900	CCT (K)	3CCT 30/40/50K
Efficacy (lm/w)	130	Beam Angle (°)	7x7
CRI	>70		

GENERAL CHARACTERISTICS	
Operating Temperature (°F)	-40°F ~ 113°F
Storage Temperature (°F)	-40°F ~ 158°F
IP Rating	IP65
Rated Life (Hrs)	50,000
Warranty (Yrs)	5

ACCESSORIES		
Item #	Stock Code	Description
P10012	MT-FDL/KNC/BZ	Knuckle Mount

PRODUCT DIMENSIONS		
Width- in / (mm)	6.30" 160	
Height- in / (mm)	5.51" 140	
Depth- in / (mm)	1.65" 42	
EPA (ft²)	-	
Weight (lbs)	1.46	
Mounting Height (ft)	-	
Cable Length (ft)	16-inch	

CERTIFICATIONS			
UL/ETL	UL	CEC	
NSF/ETL Sanitation		JA8	
Energy Star		FCC	✓
DLC	5.1 Standard	RoHs	✓

DOCUMENTS			
LM79	✓	IES File	✓
LM80	✓	Dimmer List	

COMMENTS